

Boresighter  
CORCOMPAR

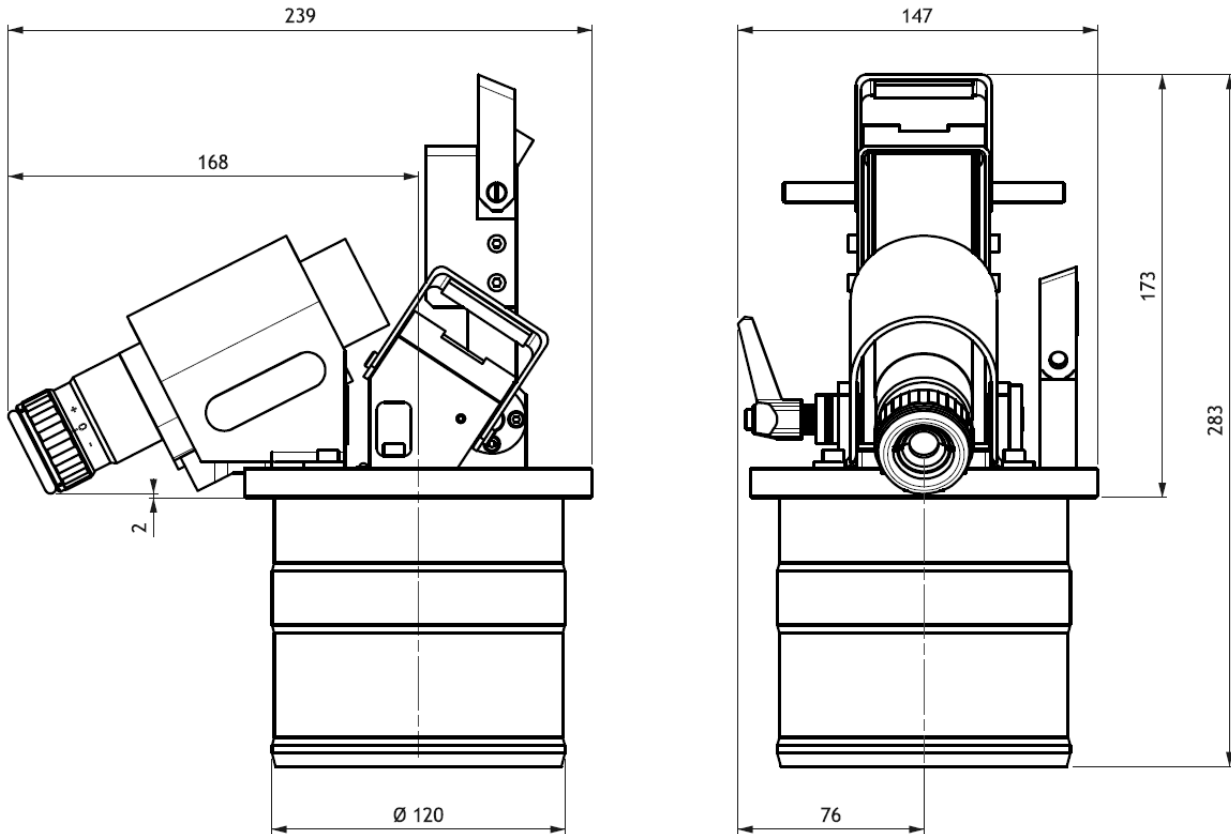


## Robust Large Compatibility Scope

- Optical processing ensuring resistance to the most severe constraints
- Multiple Calibration: tubes and dovetail alignment
- Multi-caliber mounting possible

The CORCOMPAR Boresighter is used to determine the difference in projection alignment between the axis of a mortar tube (81 LLR F1, RT 120 or smooth) and the range finders that may equip these pieces (GP2M 120 GP2M F1). It can also be used to harmonize the dovetail supporting the sighting goniometer.

### 1. Dimensions and characteristics



Magnification	8
Dimensions	130 x 110 x 185mm
Mass	1.5Kg
Precision sight level	1mm = 1m/
Precision slope level	1mm = 0.3m/
Reticle	Crosshair
Field	70 m/
Boresighter	81 mm; 120 smooth and RT, interchangeable
Measuring range	from 600 to 1100 m/

## 2. Performance

Tightness: meets French standard GAM EG 13 Code 1

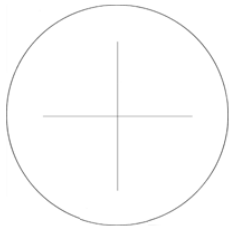
Temperature:

In operation:  $-31^{\circ}\text{C}$  to  $+51^{\circ}\text{C}$

Storage:  $-46^{\circ}\text{C}$  to  $+70^{\circ}\text{C}$

## 3. Reticle

The 8x Boresighter has a crosshair-type reticle.



D06\_4107

## 4. Use

This elbow scope is mounted directly in the muzzle of the mortar and takes its geometric references from the bore of the tube and the entrance plane of the tube. The terrestrial reference is obtained by positioning the bubbles of the various levels between their benchmarks. The mirrors of the levels and the position of the sighting scope make it possible for the operator to perform this calibration on the ground. This ergonomic solution makes it safer for operators by eliminating the risk of falls.

## 5. Accessories

The Boresighter is shipped in a composite container with foam packaging and the following accessories:

- Boresight kit based on mortar diameter
- Precision Level
- Plumb-line
- Allen key set
- Feeler gauges
- Instruction manual
- Standard goniometer (optional)



# HIGH PERFORMANCE OPTO-MECHANICS AND MILITARY OPTRONICS

